

Small drives – *the product range*



compact, powerful, versatile



Lenze



Company profile | An introduction to Lenze small drives

We are a successful manufacturer of drive technology, offering you since 1985 small drives with a power output ranging from 12 ... 600 W in the form of:

- ▶ DC small drives
- ▶ AC small drives

This product range comprises DC permanent electromagnetic motors and 3-phase asynchronous motors, which can be combined with worm, helical or planetary gearboxes to form geared motors. The modular structure and planned versions of the overall design simplify the task of selecting the right product.

Lenze small drives can be connected directly to the mains, via either a closed-loop or battery-operated connection and used in a large number of application areas, e.g.:

- ▶ General engineering
- ▶ Battery-operated applications
- ▶ Alternative energy technology
- ▶ Building and HVAC technology
- ▶ Office machines

Our main priority during product development is the benefit to the customer. This is why we can be your effective partner, capable of providing quick and flexible solutions for your drive activities. You will also have on hand the support of our well-integrated team of engineers, technicians and experts.

Our quality assurance system, starting from development and production right through to sales and service, is DIN ISO 9001 certified. Our customers set the benchmark against which we measure our quality requirements, which obviously also includes delivery times appropriate to the market and providing complete deliveries.

We see it as our job to totally fulfil your requirements, after all, having a customer-oriented approach as a company objective presupposes the highest level of quality.

Don't just take our word for it, why not see for yourself.

Products | We provide the perfect solution for your drive task

DC motors

Permanent electromagnetic motor
Power range from 55 ... 600 W



- ▶ **Reliable**
Good dustproof and waterproof protection is provided for the motors by protection class IP54
- ▶ **Powerful**
The motors' high power capacity facilitates small drive units
- ▶ **Adaptable**
The modular structure and planned versions of the design combined with gearboxes simplify the task of selecting the right product for the right situation
- ▶ **Long-lasting**
Its insulation system to temperature class F guarantees the winding's long service life
- ▶ **Independent**
Being equipped with a voltage supply via battery facilitates independence from the mains

3-phase motors

Asynchronous motor (smooth-bodied)
Power range from 12 ... 600 W

- ▶ **Quiet**
No background noise from fans
- ▶ **Compact**
The streamlined, smooth-bodied design means less space is required for installation
- ▶ **Reliable**
Thanks to the housing's smooth surface, cooling is not restricted by fluff and dust
- ▶ **Adaptable**
The modular structure and planned versions of the design combined with gearboxes simplify the task of selecting the right product for the right situation
- ▶ **Versatile**
Can be used with 8200 vector, 8200 motec and 9300 series speed drives

Asynchronous motor (ribbed housing)
Power range from 30 ... 250 W

- ▶ **Powerful**
High power output via fans and cooling ribs on the housing
- ▶ **Adaptable**
The modular structure and planned versions of the design combined with gearboxes simplify the task of selecting the right product for the right situation



Gearboxes

Worm gearboxes

- ▶ **Long-lasting**

The material chosen for the gearbox and the processing involved guarantee a long service life

- ▶ **Easy maintenance**

No maintenance required

- ▶ **Adaptable**

Output or hollow shaft and B14 or B3 full shaft



Planetary gearboxes

- ▶ **Compact**

The streamlined, smooth-bodied design means less space is required for installation

- ▶ **Easy maintenance**

No maintenance required

- ▶ **Versatile**

Motor attachment beyond IEC standard sizes



Bevel gearboxes

- ▶ **High efficiency**

Small motor powers can be installed

- ▶ **High start-up efficiency**

Motors must not be overdimensioned

- ▶ **Wear-resistant**

No stoppages due to worn splines



Helical gearboxes

- ▶ **Light**

Reduces weight

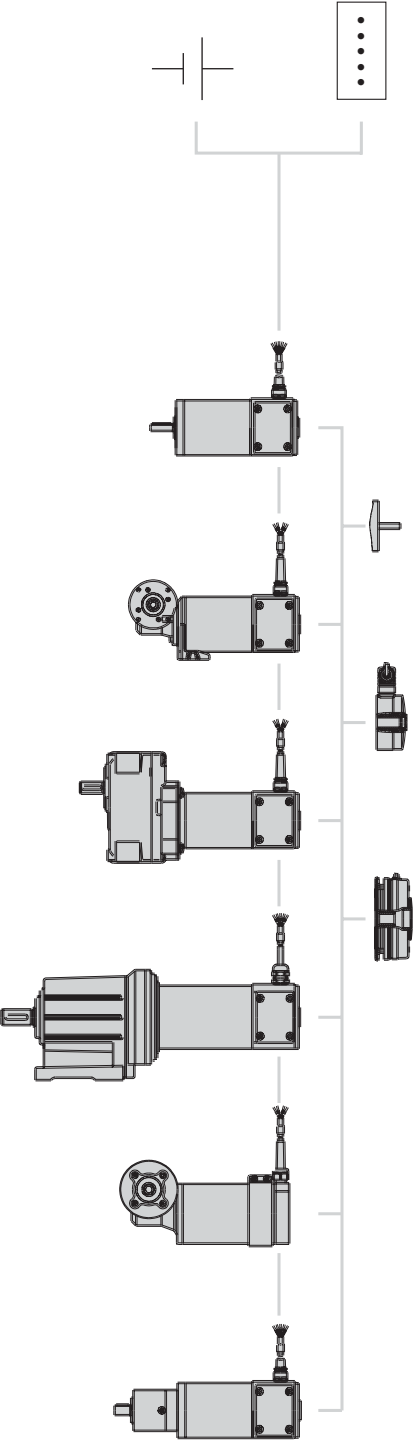
- ▶ **Compact**

Less space required

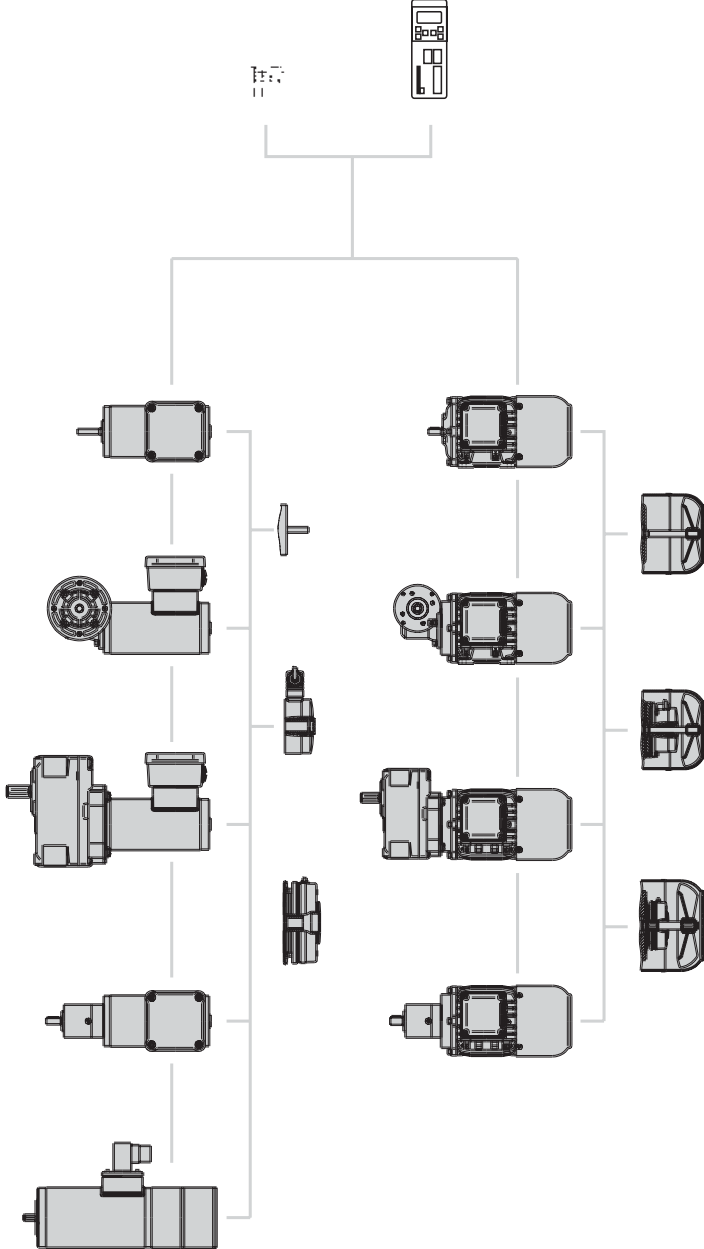


System overview | Small drives

DC



3-phase current



Service | you can trust

For us, service is more than just supporting the use of our drives. The Lenze system approach begins with your enquiry. Next you get technical information and advice from a network of sales outlets staffed by knowledgeable engineers. If you want, we follow up with training, commissioning, maintenance and repair.

With passion

The Lenze team does not just offer the necessary manpower and technical know-how – we are passionate and meticulous about what we do. We will only be happy once you are entirely satisfied with our work. Our team of professionals provides assistance over the telephone or on site, ensures the express delivery of spare parts and carries out repairs with incredible urgency. We're fast and reliable.

Someone to talk to

Expert advice is available for all your technical queries via our helpline. In case of urgent needed, call 008000 24 hours (008000 24 46877), Lenze's worldwide expert helpline – 24 hours a day, 365 days a year. For more direct assistance, you can of course contact your local Lenze service support centre. We can tell you where it is – or you can find out for yourself by visiting us on the Internet at www.Lenze.com.

Around the world

Our products are available for speedy delivery worldwide. Lenze companies, Lenze factories and sales agencies are based in major industrial countries around the world. Contact them through our website www.Lenze.com, which also gives you 24-hour access to technical instructions and product manuals. Local support, on site if you need it, is available.

Worldwide

Algeria
Argentina
Australia
Austria
Belgium
Bosnia-Herzegovina
Brazil
Bulgaria
Canada
Chile
China
Croatia
Czech Republic
Denmark
Egypt
Estonia
Finland
France

Germany
Greece
Hungary
Iceland
India
Indonesia
Iran
Israel
Italy
Japan
Latvia
Lithuania
Luxembourg
Macedonia
Malaysia
Mauritius
Mexico
Morocco
Netherlands

New Zealand
Norway
Philippines
Poland
Portugal
Romania
Russia
Serbia-Montenegro
Singapore
Slovak Republic
Slovenia
South Africa

South Korea
Spain
Sweden
Switzerland
Syria
Taiwan
Thailand
Tunisia
Turkey
Ukraine
United Kingdom/Eire
USA

www.Lenze.com

